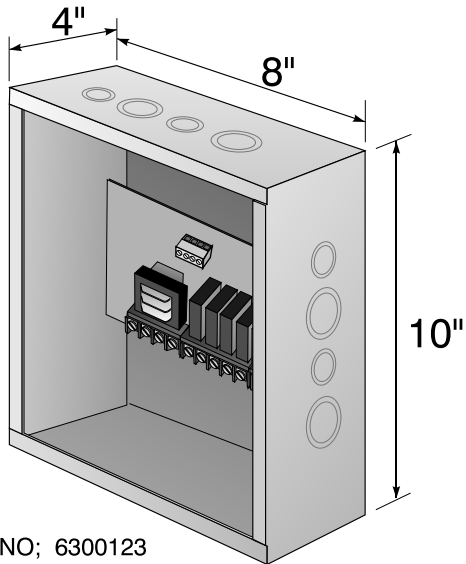




Group Control System - II (GCS-II)

Installation and Operation Instructions



CAT. NO; 6300123

DESCRIPTION

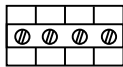
The Group Control System - II (GCS-II) permits low voltage control of up to four Somfy operators with one or more switches, from one or more locations. Optional low voltage control can be accomplished using Somfy's Decorator Somfy-Matic or Radio Remote Control Kit. The GCS-II offers only group control, and does not have the capability of operating each motor individually. The Group Control System - II is UL and cUL approved.

LOW VOLTAGE CONNECTIONS

TELEPHONE CONNECTOR

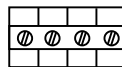


SENSORS CONNECTION



12	W	S
V	I	U
D	N	N
C	D	

LOW VOLTAGE SWITCH CONNECTION



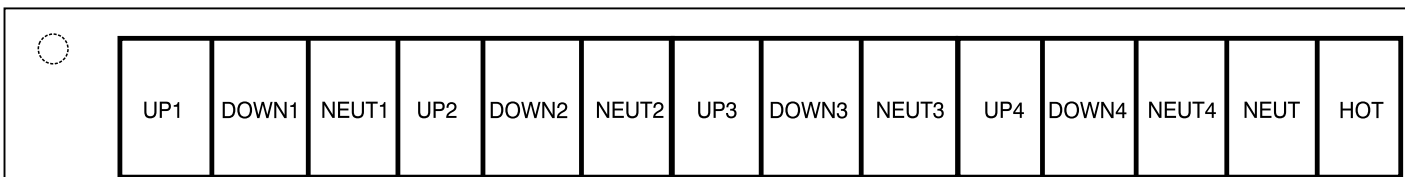
U	D	C
P	O	O
W	M	
N	M	
O	N	

- Using no larger than 18 gauge wire, connect a low voltage switch to the terminal block using UP, DOWN, and COMMON connectors.
- If used, connect the sun or wind sensor to the appropriate terminal block as indicated. The blue wire goes to +12 VDC and the brown to the sensor input.
- Using 6 conductor modular cable, connect from the GCS-II to a Comfort Control, Intellis or other control via the RJ11 modular connector

LINE VOLTAGE CONNECTIONS

Connect Motor & Power Cables to the Terminal Block as illustrated.

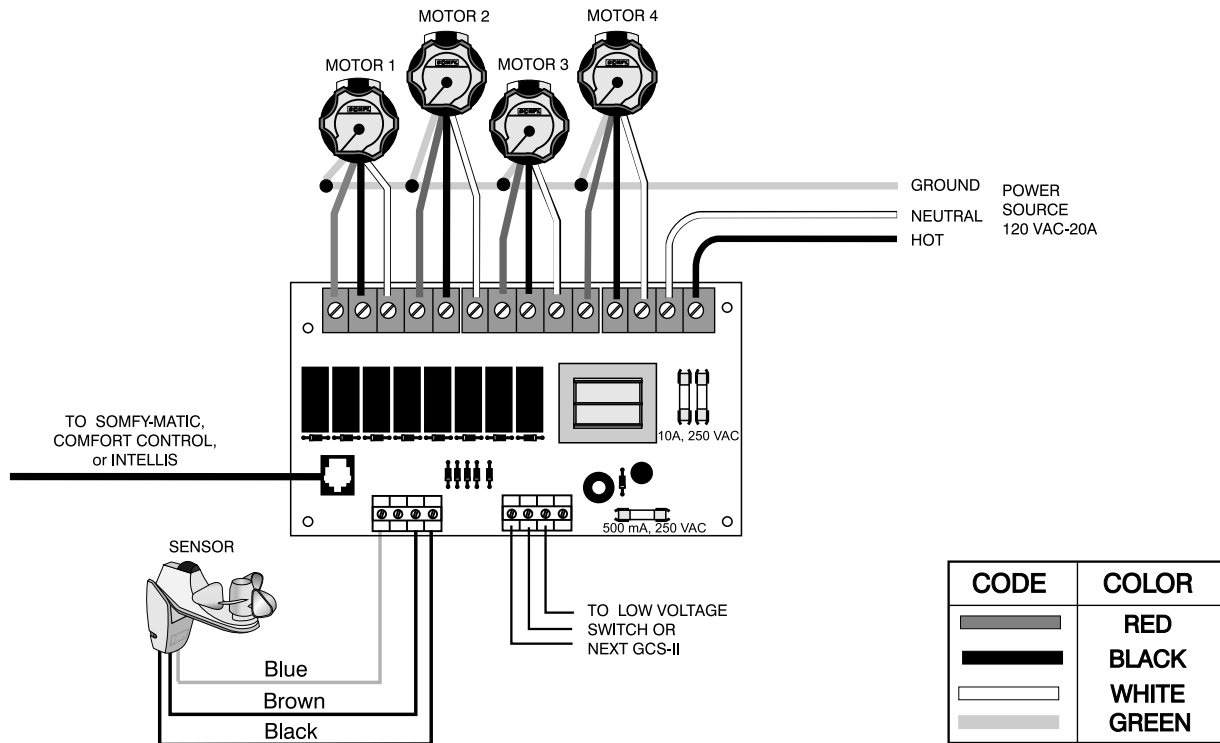
Line Voltage installation **MUST** comply with local and NEC codes.



POWER	MOTOR	TERMINAL BLOCK
BLACK		HOT
WHITE	WHITE	NEUT, NEUT1, NEUT2, NEUT3, or NEUT4
GREEN	GREEN	
	RED	UP1, UP2, UP3, or UP4
	BLACK	DOWN1, DOWN2, DOWN3, or DOWN4

CAUTION: Before proceeding with the line voltage wiring instructions, the up and down limits of each motor should be set using the Somfy tester cable (Cat. No. 6020086). Refer to the limit switch instructions packaged with each Somfy motor for more information.

GCS - II WIRING DIAGRAM



OPERATING PROCEDURES

FOR USE WITH SWITCH

1. Wire a momentary low voltage switch to the terminal block as explained on the previous page
2. Pressing UP or DOWN will activate the appropriate direction. If any of the motors do not move in the correct direction, turn off the circuit breakers and reverse the red and black wires at the corresponding motor.
3. The motors will operate for the duration the switch is on. With the switch in the center position, the motors will stop.

FOR USE WITH SOMFY-MATIC

1. Using appropriate length modular cable, connect from the modular connector on the GCS-II to the IGC/GCS connector on the Somfy-Matic (or Comfort Control).
2. Connect the sun and/or wind sensor to the appropriate terminal block. Connect the sensors at only one location (either Somfy-Matic or GCS-II), not both.
3. The Somfy-Matic will control all four motors as explained in the Somfy-Matic instructions.



SOMFY CANADA

6315 Shawson Drive, Unit #1
Mississauga, Ontario L5T1J2

SOMFY SYSTEMS, INC.

47 Commerce Drive
Cranbury, NJ 08512

SOMFY MEXICO S.A. De C.V.

Calle 3 No.47, Loc.E-5
Fracc Ind. Alce Blanco
Nau., Edo. de Mex C.P. 53370, Mex